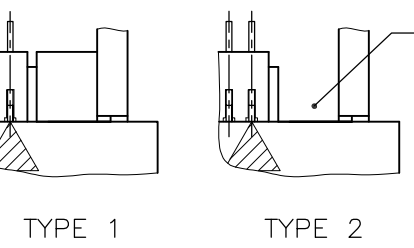
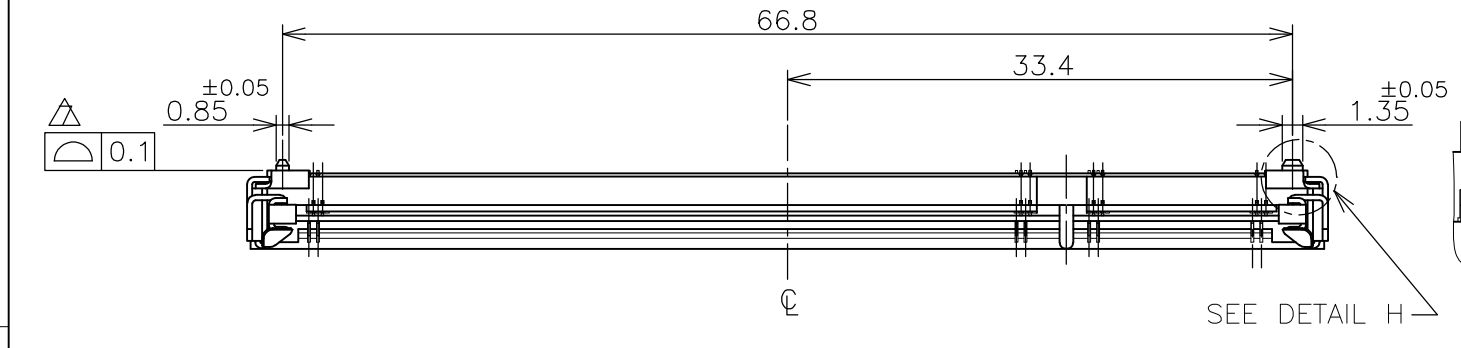
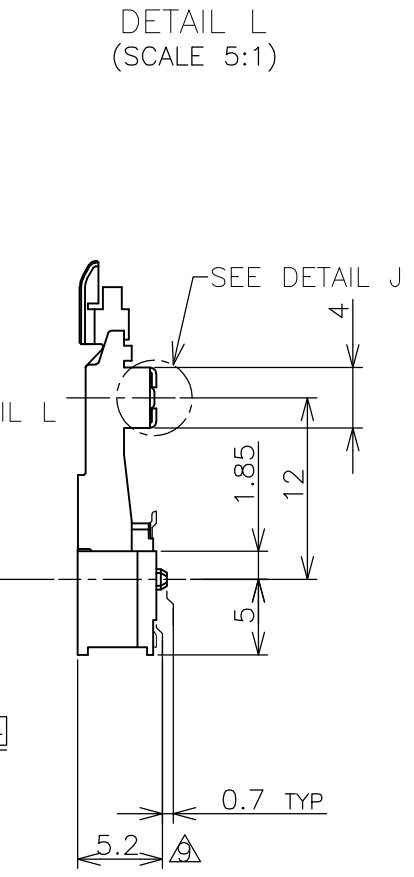
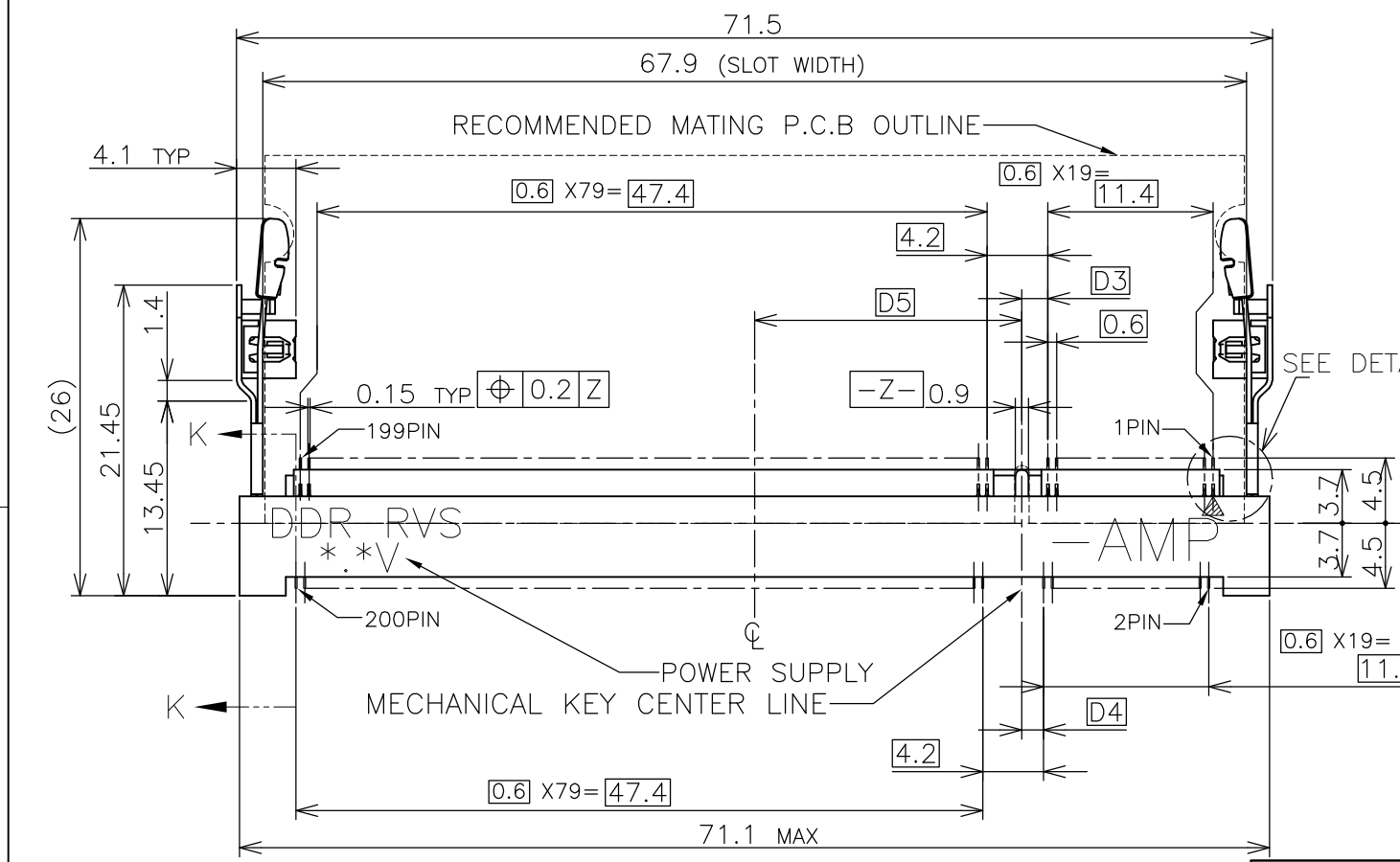
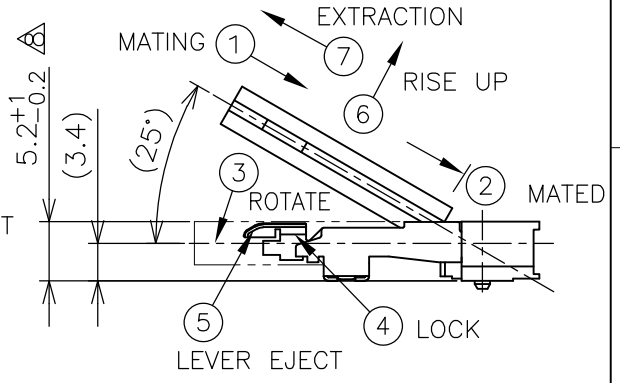
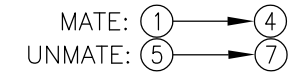


THIS DRAWING IS UNPUBLISHED. RELEASED FOR PUBLICATION NOV. 2001.
 © COPYRIGHT 2001 BY TYCO ELECTRONICS CORPORATION. ALL RIGHTS RESERVED.

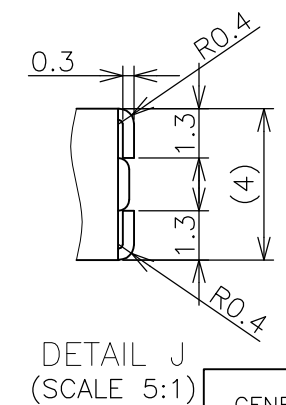
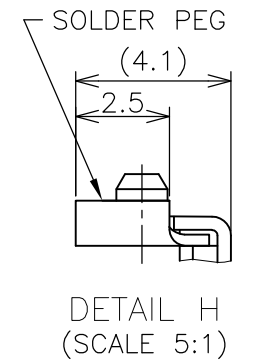
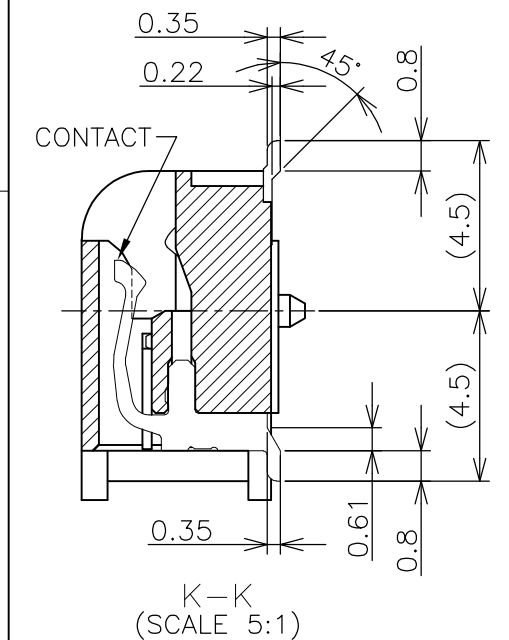
LOC		DIST		REVISIONS			
ES	M	P	LTR	DESCRIPTION	DATE	DWN	APVD
				REVISED (ECR-08-001704)	21JAN08	B.W	S.Y



HOW TO MATE AND UNMATE



- (APPLIED TO SHEET 1-2)
- MATERIAL ; HOUSING: HIGH TEMPERATURE THERMO PLASTIC UL94V-0
CONTACT: COPPER ARROY
LOCK LEVER: STAINLESS STEEL
SOLDER PEG: COPPER ARROY
 - FINISH ; CONTACT AREA: GOLD FLASH ON 0.0013MIN ALL OVER NICKEL.
SOLDERING AREA: GOLD FLASH PLT.
SOLDER PEG: TIN PLATING.
 - MECHANICAL KEY POSITION OF CONNECTOR SEE TABLE.
 - TOLERANCES NON-CUMULATIVE.
 - NOT TO SCALE.
 - INSIDE MUST BE RESIST COAT EXCEPT SOLDER PATTERN.
 - COPLANARITY : 0.1 MAX.
 - THE FLOATING VALUE BY SOLDERING IS NOT INCLUDED.
 - NOT MATING CONDITION.
 - IF THE MODULE DOESN'T INSERT AND LOCK IN THE LATCH SMOOTHLY, OPEN WIDE BOTH LATCHES BY MANUAL. AND THE MODULE MUST BE INSERTED AND LOCKED IN THE LATCH.
 - FINISH ; CONTACT AREA: GOLD PLATING 0.00076 MIN ON 0.0013MIN ALL OVER NICKEL.
SOLDERING AREA: GOLD FLASH PLT.
SOLDER PEG: TIN PLATING.



GENERAL TOLERANCE
 10 ≥ : ±0.2
 30 ≥ >10 : ±0.25
 100 ≥ >30 : ±0.3
 ANGLES : ±3°

TYPE 1	△	AVAILABLE	—H—	2.5V (DDR1)	18.45	1.5	1.8	200	1473006-5
TYPE 2	△	AVAILABLE	BOSSLESS	1.8V (DDR2)	17.55	2.4	2.7	200	1-1473006-4
TYPE 2	△	AVAILABLE	—H—	1.8V (DDR2)	17.55	2.4	2.7	200	1473006-4
TYPE 1	△	AVAILABLE	HOUSING COLOR:GRAY BOSSLESS	2.5V (DDR1)	18.45	1.5	1.8	200	6-1473006-1
TYPE 1	△	AVAILABLE	BOSSLESS	2.5V (DDR1)	18.45	1.5	1.8	200	1-1473006-1
TYPE 1	△	AVAILABLE	—H—	2.5V (DDR1)	18.45	1.5	1.8	200	1473006-1
TAB TYPE	FINISH	TOOLING STATUS	REMARK	POWER SUPPLY (TYPE)	D5	D4	D3	POS	PART NO.

THIS DRAWING IS A CONTROLLED DOCUMENT.

DWN T.FUMIKURA 18JAN02
 CHK T.KUSUHARA 18JAN02
 APVD I.ENOMOTO 18JAN02

Tyco Electronics Tyco Electronics corporation
 SH/CN GuiPing RD 668#

NAME: DDR1 & DDR2 SODIMM SOCKET
 0.6mm PITCH 200POS
 STANDARD PROFILE REVERSE TYPE

PRODUCT SPEC: 108-5701
 APPLICATION SPEC

SIZE: A3 CAGE CODE: 00779 DRAWING NO: C-1473006 RESTRICTED TO: —

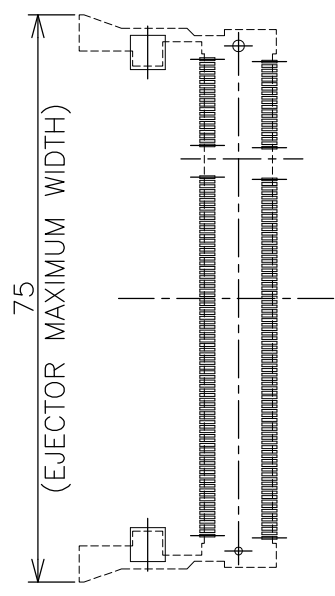
WEIGHT: 4.7g

CUSTOMER DRAWING SCALE: 2:1 SHEET: 1 OF 4 REV: M

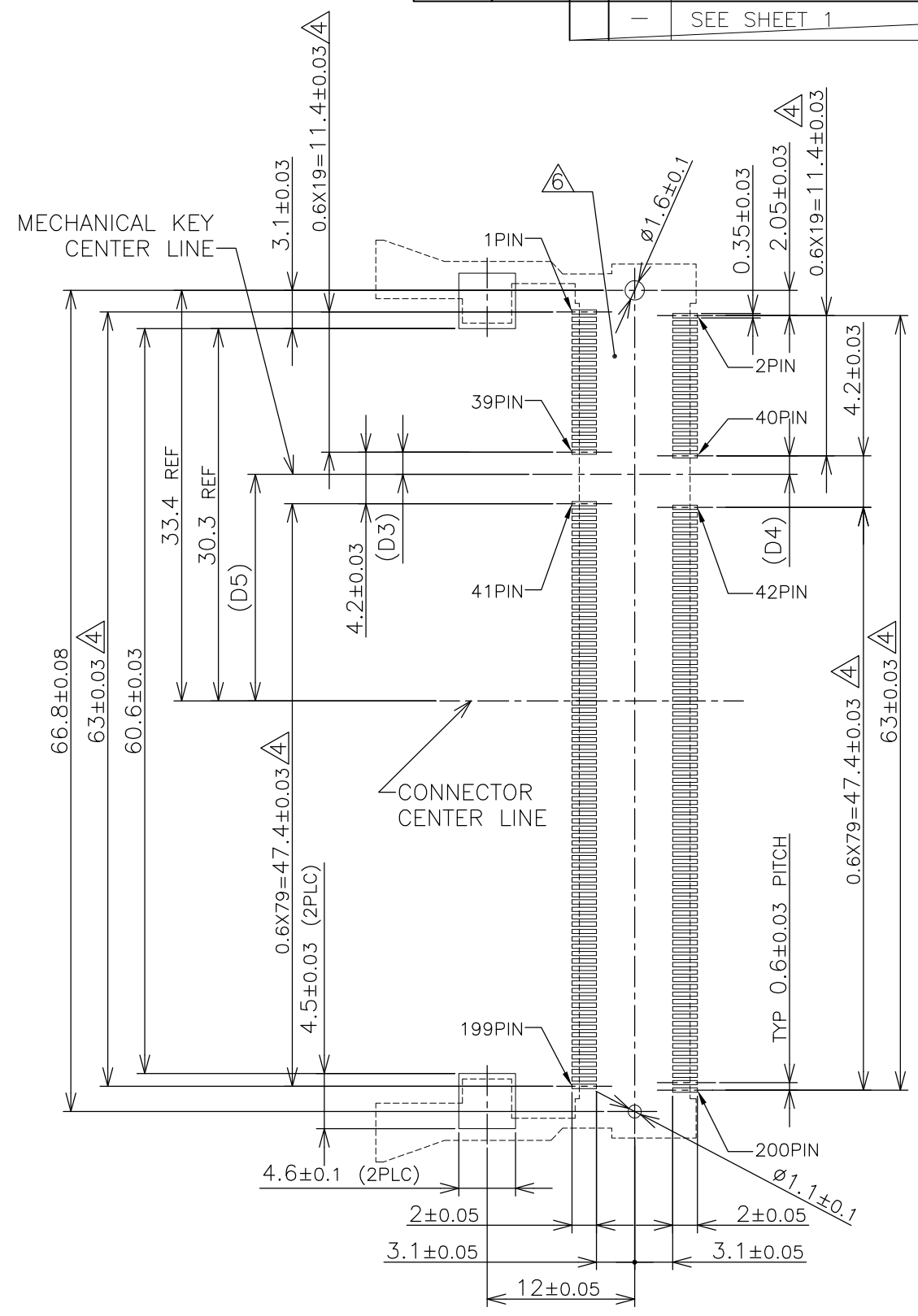
THIS DRAWING IS UNPUBLISHED. RELEASED FOR PUBLICATION NOV, 2001.
 © COPYRIGHT 2001 BY TYCO ELECTRONICS CORPORATION. ALL RIGHTS RESERVED.

LOC		DIST		REVISIONS			DATE	DWN	APVD
P	LTR	DESCRIPTION							
						SEE SHEET 1	-	-	-

REFERENCE P.C. BOARD PATTERN LAYOUT (CONNECTOR MOUNTING SIDE)



REAL SIZE (SCALE 1:1)

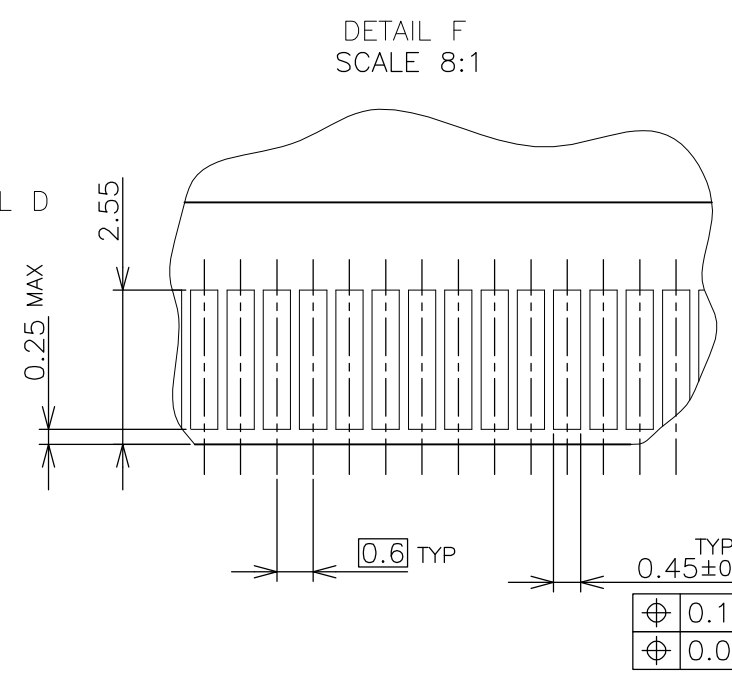
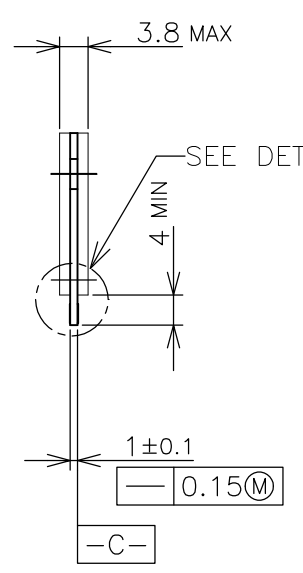
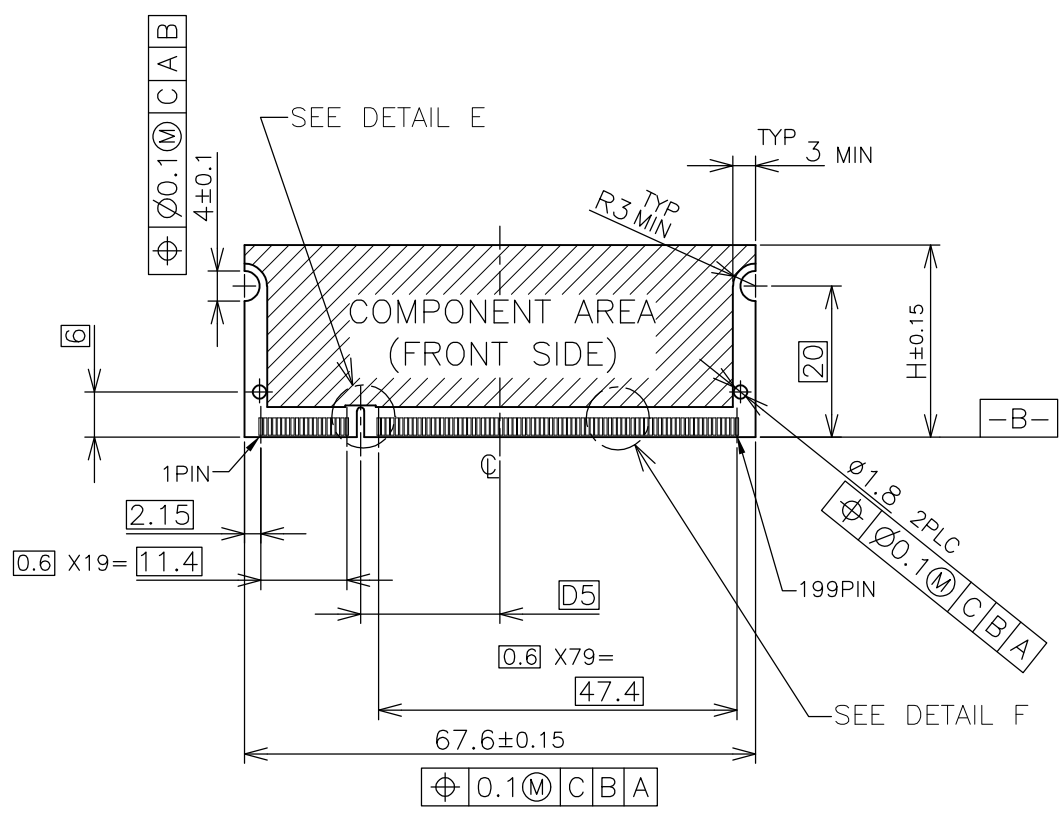


1.8V	17.55	2.4	2.7
2.5V	18.45	1.5	1.8
POWER SUPPLY	D5	D4	D3

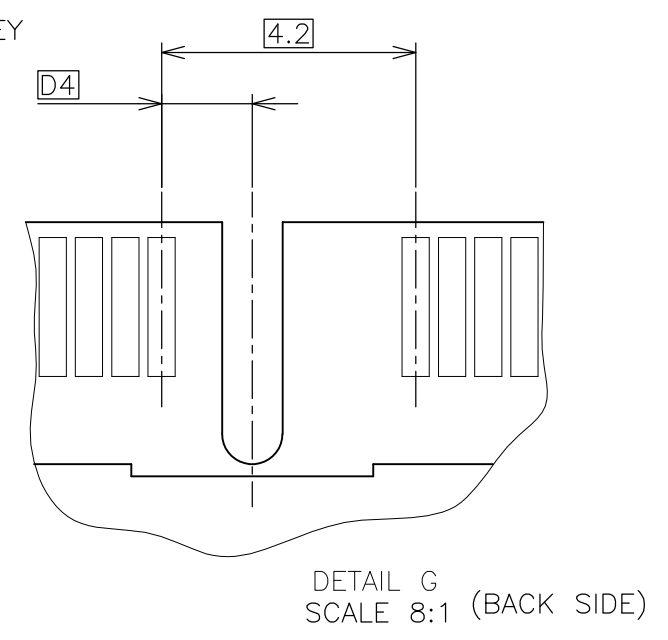
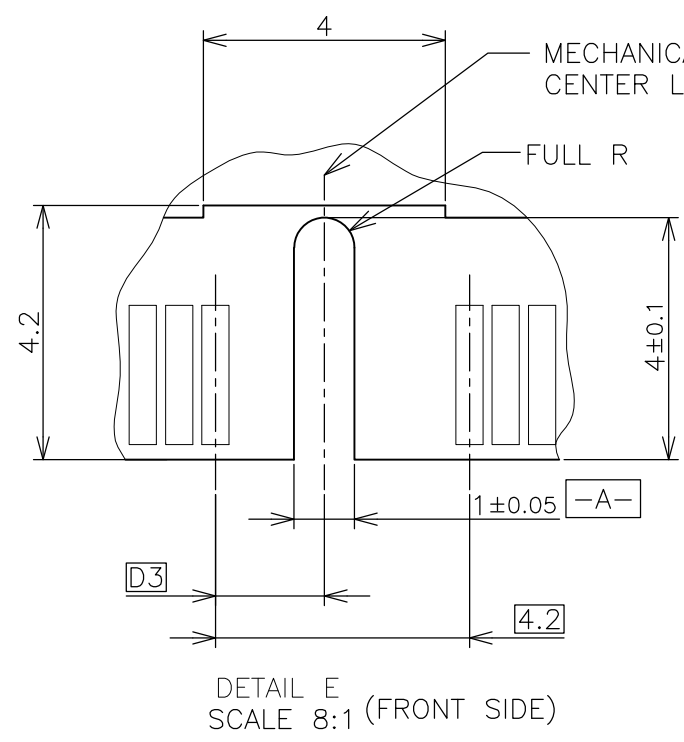
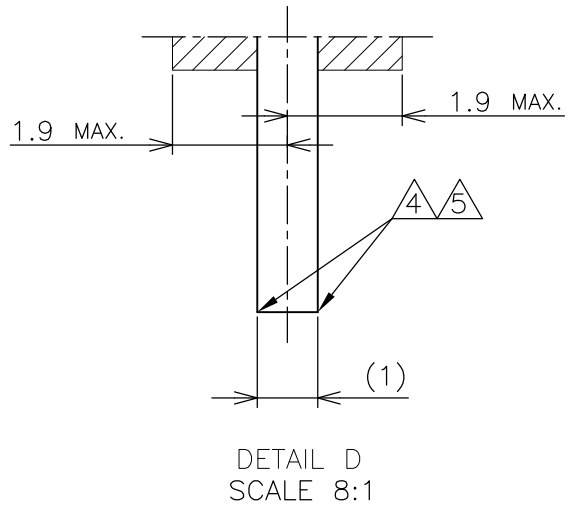
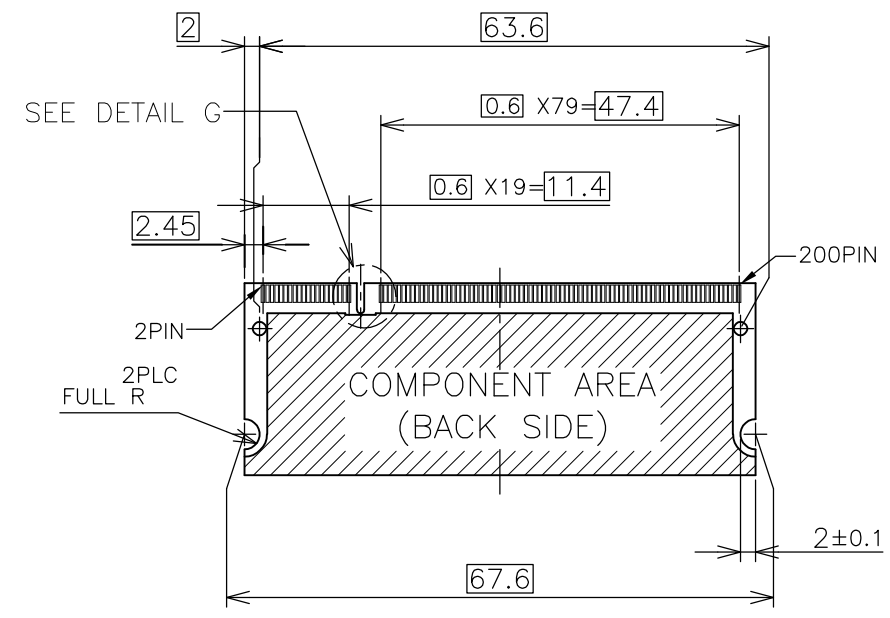
THIS DRAWING IS A CONTROLLED DOCUMENT.		DWN		Tyco Electronics corporation SH/CN GuiPing RD 668#			
DIMENSIONS: MM		CHK					
TOLERANCES UNLESS OTHERWISE SPECIFIED:		APVD		NAME			
0 PLC ±		PRODUCT SPEC		DDR1 & DDR2 SODIMM SOCKET 0.6mm PITCH 200POS STANDARD PROFILE REVERSE TYPE			
1 PLC ±		APPLICATION SPEC					
2 PLC ±		WEIGHT		SIZE	CAGE CODE	DRAWING NO	RESTRICTED TO
3 PLC ±		MATERIAL		A3 00779		G-1473006	
4 PLC ±				CUSTOMER DRAWING		SCALE	SHEET
ANGLES ±				2:1	2	4	M
FINISH							

THIS DRAWING IS UNPUBLISHED. RELEASED FOR PUBLICATION NOV ,2001.
 © COPYRIGHT 2001 BY TYCO ELECTRONICS CORPORATION. ALL RIGHTS RESERVED.

LOC		DIST		REVISIONS					
ES				P	LTR	DESCRIPTION	DATE	DWN	APVD
						SEE SHEET 1			



- (APPLIED TO SHEET 3)
1. TOLERANCES ON ALL DIMENSIONS ±0.15 UNLESS OTHERWISE SPECIFIED.
 2. P.C. BOARD THICKNESS APPLIES ACROSS TABS AND INCLUDES PLATING AND/OR METALIZATION.
 3. FINISH OF PAD : GOLD PLATING 0.00076 MIN. OVER Ni PLATING 0.002MIN.
- NO BURR
 CHAMFER 0.25 MAX x 45° IF EXIST.



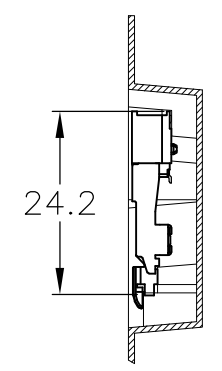
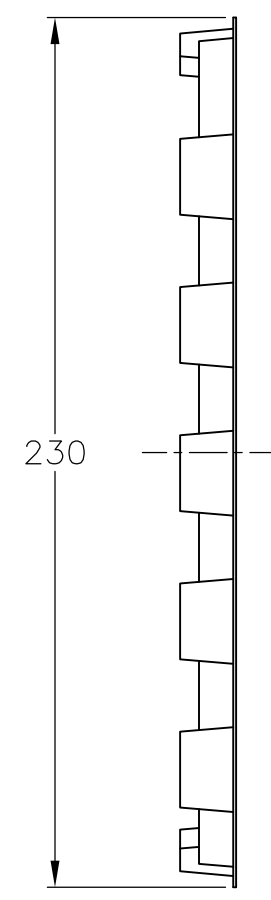
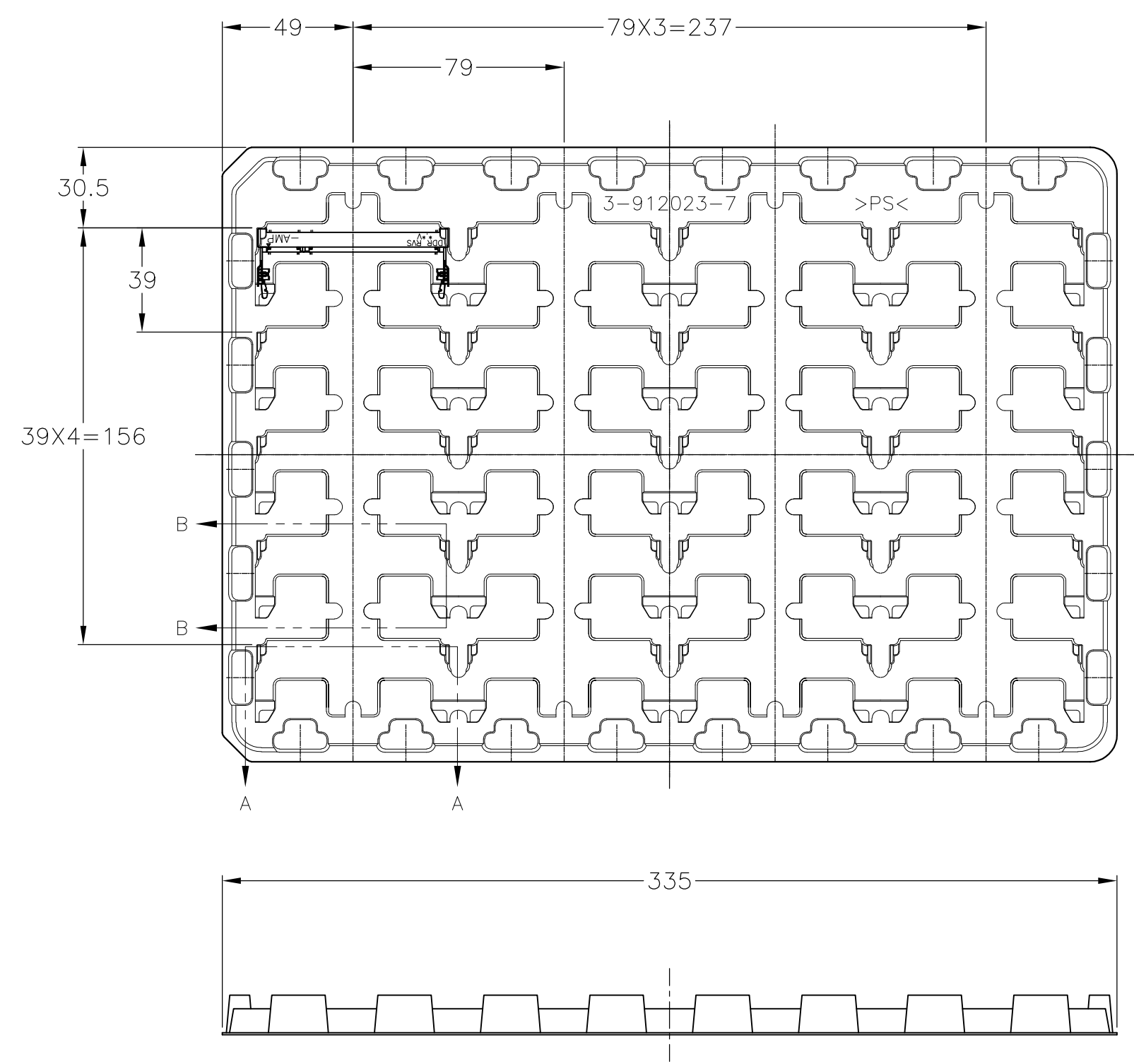
RECOMMENDED MATING P.C.B CONFIGURATION

31.75	1.8V	17.55	2.4	2.7
25.4	2.5V	18.45	1.5	1.8
H	POWER SUPPLY	D5	D4	D3

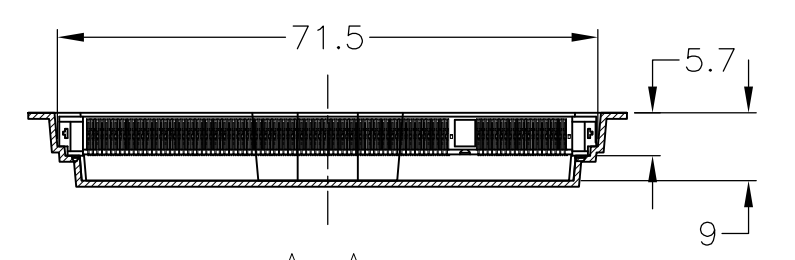
THIS DRAWING IS A CONTROLLED DOCUMENT.		DWN		Tyco Electronics corporation SH/CN GuiPing RD 668#	
DIMENSIONS: MM		CHK			
TOLERANCES UNLESS OTHERWISE SPECIFIED:		APVD			
0 PLC ± 1 PLC ± 2 PLC ± 3 PLC ± 4 PLC ± ANGLES ± FINISH ±		NAME			
MATERIAL		PRODUCT SPEC		DDR1 & DDR2 SODIMM SOCKET 0.6mm PITCH 200POS STANDARD PROFILE REVERSE TYPE	
		APPLICATION SPEC		SIZE CAGE CODE DRAWING NO RESTRICTED TO A3 00779 C-1473006	
		WEIGHT		SCALE 2:1 SHEET 3 OF 4 REV M	
		CUSTOMER DRAWING			

THIS DRAWING IS UNPUBLISHED. RELEASED FOR PUBLICATION NOV. 2001.
 © COPYRIGHT 2001 BY TYCO ELECTRONICS CORPORATION. ALL RIGHTS RESERVED.

LOC	DIST	REVISIONS			
P	LTR	DESCRIPTION	DATE	DWN	APVD
ES		SEE SHEET 1	-	-	-



B-B
SCALE 2:1



A-A
SCALE 2:1
(180DEG. ROTATE)

2.5V (DDR1)	20EA/TRAY	1473006-5
1.8V (DDR2)	20EA/TRAY	1-1473006-4
1.8V (DDR2)	20EA/TRAY	1473006-4
2.5V (DDR1)	20EA/TRAY	6-1473006-1
2.5V (DDR1)	20EA/TRAY	1-1473006-1
2.5V (DDR1)	20EA/TRAY	1473006-1
POWER SUPPLY (TYPE)	QTY	P/N

- (APPLIED TO SHEET 4)
1. THE DIRECTION OF EACH CONNECTOR ON A TRAY IS REFERRED TO THIS DRAWING.
 2. GENERAL TOLERANCE: ±0.5

THIS DRAWING IS A CONTROLLED DOCUMENT.		DWN	Tyco Electronics corporation SH/CN GuiPing RD 668#			
DIMENSIONS: MM		CHK				
TOLERANCES UNLESS OTHERWISE SPECIFIED:		APVD	NAME			
0 PLC ±		PRODUCT SPEC	DDR1 & DDR2 SODIMM SOCKET			
1 PLC ±		APPLICATION SPEC	0.6mm PITCH 200POS			
2 PLC ±		WEIGHT	STANDARD PROFILE REVERSE TYPE			
3 PLC ±		CUSTOMER DRAWING	SIZE	CAGE CODE	DRAWING NO	RESTRICTED TO
4 PLC ±			A3	00779	C-1473006	-
ANGLES ±		SCALE	SHEET		REV	
FINISH ±		1:2	4 OF 4		M	